

PLS-94

90

WORK TOP

Worktop on open cabinet (included 1 Head end filler strip mod.TPA-9)



Construction - Fabricated using CrNi 18/10 AISI 304 grade Stainless Steel Scotch-Brite Satin polish Finish, incorporating 2mm thick worktop, rounded edges, chromed details and rear splash back. Model - Professional worktop with or without drawer on open cabinet. Fittings - Appliance is supplied with steel or plastic tanks, h 15cm. Adjustable feet. Doors not included.



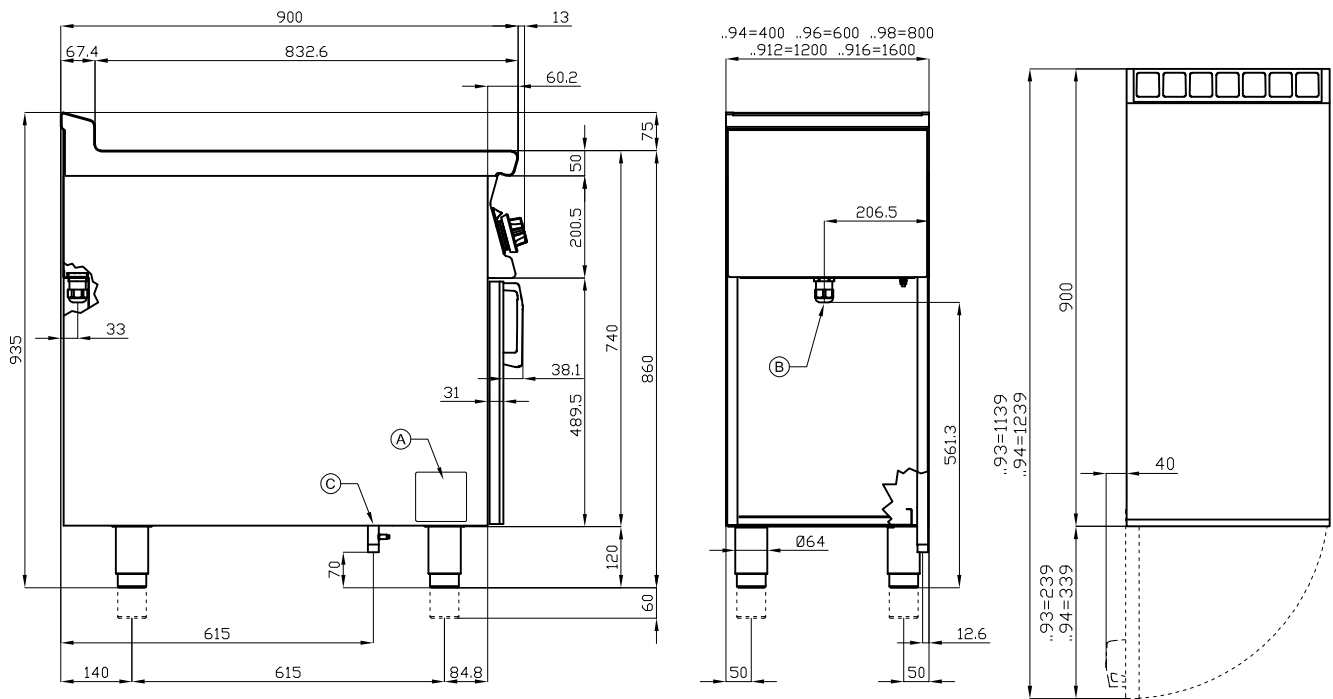
ITALIAN CULINARY ART

The pictures are purely representative. The manufacturer reserves the right to modify the technical data and models without previous notice.

PLS-94

90

WORK TOP



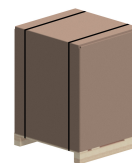
A	Data plate				
---	------------	--	--	--	--

MODEL:

PLS-94

DIMENSIONS:

cm. 40x 90x 90h



kg: 49
 m³: 0.463
 mm: 430x970x1110

BUY LOTUS BUY ITALY

The pictures are purely representative. The manufacturer reserves the right to modify the technical data and models without previous notice.



LOTUS S.P.A. Via Calmaor, 46
 31020 San Vendemiano(TV) - Italy
 Tel. + 39 0438 778020 / 778468
 Fax + 39 0438 778277
 www.lotuscookers.it - lotus@lotuscookers.it